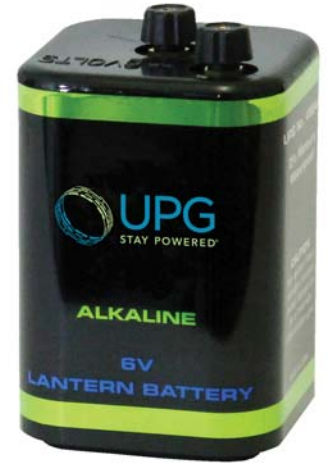


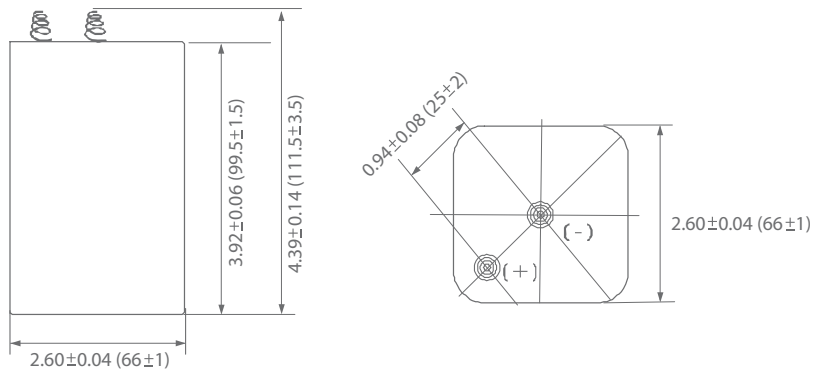
Specification

Nominal Voltage	6.0 V
Chemical System	Alkaline Manganese Dioxide
Jacket	Paper Jacket
Shelf Life	5 Years
Approximate Weight	1.3 lbs (589.7g)
Capacity	13.4 Ah
Conditions: 15.6Ω discharge, 24 hrs per day at 20±2°C, end point voltage 3.6V	



Due to continuous improvements to our products, product may vary slightly from depiction.

Physical Dimensions: in (mm)



Estimated Service (At 20°C within 30 days of manufacture.)

Discharge Resistance	Discharge Condition	End Point Voltage	Service Life
9.1 Ohms	30 Mins/Hr - 8 Hrs/Day	3.6 V	21 Hrs
9.1 Ohms	24 Hrs/Day	3.6 V	18 Hrs
110 Ohms	12 Hrs/Day	3.6 V	300 Hrs